

**SPECIFICATIONS**

**Material:** E-SEELS -- Silicone rubber polymer type ASTM D 1418

**Mounting Nut:** E-SEELS: ALUMINUM INSERT

**Temperature Range:** E-SEELS: -80°F to +400°F

**Pressure Range:** Exceeds 15 psi internal and 1500 psi external.

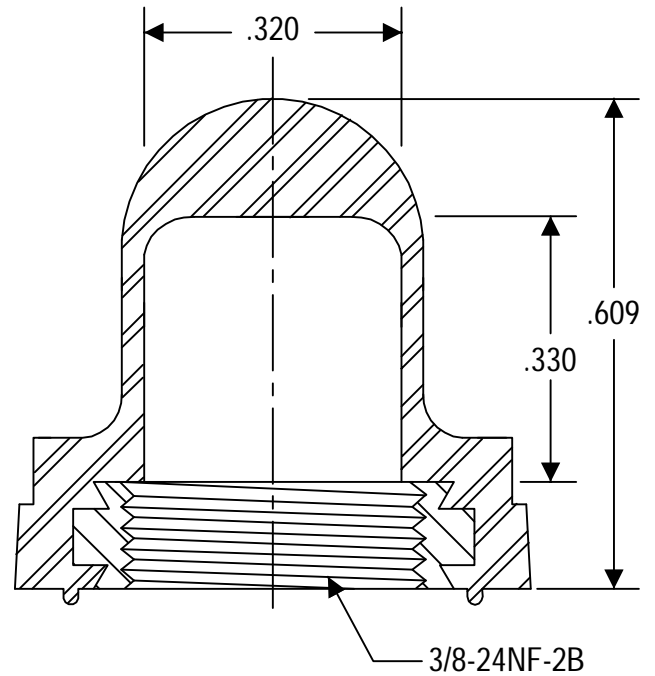
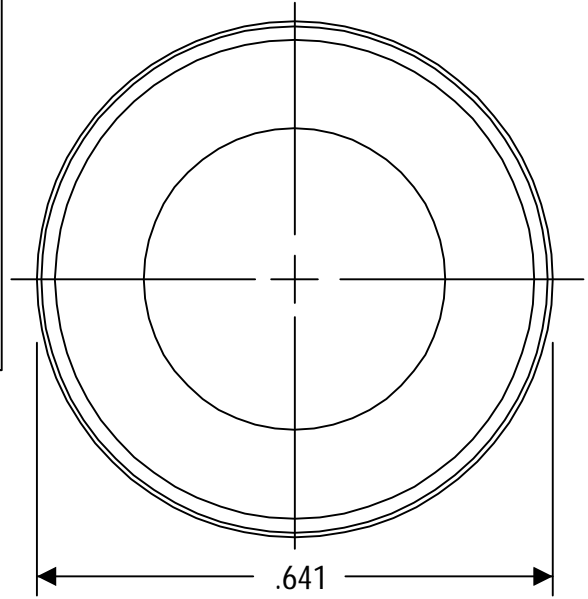
**Operational Life:** 50,000 actuations (minimum).

**Shelf Life:** Excess of 25 years.

**Resistant to:** Salt spray, sunlight, ozone, weather, fungus, and most acids and lubricating oils

**Agency Recognition:** E-SEELS and HEXSEALS are UL-listed to UL Std. 50 types 1-13, and meet CSA standards.

**Installation:** If a reducing adaptor is required - see page 14 of HEXSEAL catalog HEX200 for part numbers and drawing.



A		CAD COMPUTER GENERATED		9-23-02
REV.	DESCRIPTION			DATE
MAXIMUM AND MINIMUM MEASUREMENTS ARE STATED DIRECTLY ON EACH DIMENSION.		TITLE:	BOOT-PLUNGER (C1221/22)	ENG. DWN. CARBONE 5-13-69
MAT'L: SILICONE RUBBER ASTM D 1418				CHKD. NICK 5-13-69
FINISH: CLEAR		APM-HEXSEAL CORPORATION	SCALE 4:1	DWG. NO. (C1221/22) E-SEEL®

THIS DRAWING COVERS PROPRIETARY ITEM AND IS THE PROPERTY OF THE APM-HEXSEAL CORPORATION. THIS DRAWING IS NOT TO BE COPIED OR USED WITHOUT THE WRITTEN APPROVAL OF AN OFFICER OF THE APM-HEXSEAL CORPORATION.